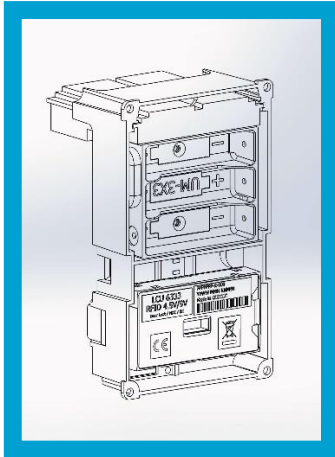


Allure Main Control Unit



The Allure Main Control Unit is the control unit for the most advanced Allure access control solution, which includes doorbell button, illuminated room number, RFID reader and indication light for DND/MUR status. The control unit is versatile and can control all of VingCard's electronic lock cases as well as having an interface towards electric strikes, egress switch and door opener. The main control unit can interface with 3rd part Energy management system for information about guest/staff door opening.

Allure Main Control Unit is compatible with ZigBee radio or wired Ethernet interface for use in online systems.

Features

- : Identifies movement in order to determine guest presence.
- : Standalone device.
- : Ceiling or wall mounted, easy installation and battery change.
- : RF-online wireless communication (ZigBee based) with thermostat determining room occupancy and alarms.

Technical Data

| | Spec 1 |
|---------------------------------|--|
| Dimensions (H x W x D) | 124 x 75 x 44 mm 4,88 x 2,95 x 1,74 in |
| Weight (g) | 360 degrees. 8 meters horizontal, 3 meters vertical. |
| Operating temperature | In-door use only |
| Storage conditions | Power 3AA batteries |
| Material | Polycarbonate in structural parts |
| Power source/ Supply voltage | 12-24VDC, from external power supply or Power over Ethernet or powered from in-room panel. 3xAA batteries for backup |
| Mechanical interface | Recessed in installation box |
| Electrical interface | : Doorbell : Lockcase (Wired or Wireless) : Electric strike : Door opener : Egress button : Outputs for Energy Management System : In-room panel : Access panel |
| Communication | ZigBee radio or wired Ethernet |

