

## Matching reliable security with affordability.

ALFA is a high quality electronic lock designed and constructed according to the strictest quality criteria. By standardizing design options and utilising a modern and robust powder coating as an aesthetic finish, the product is also a very cost effective solution which provides exceptional good value for money.



Rugged charcoal



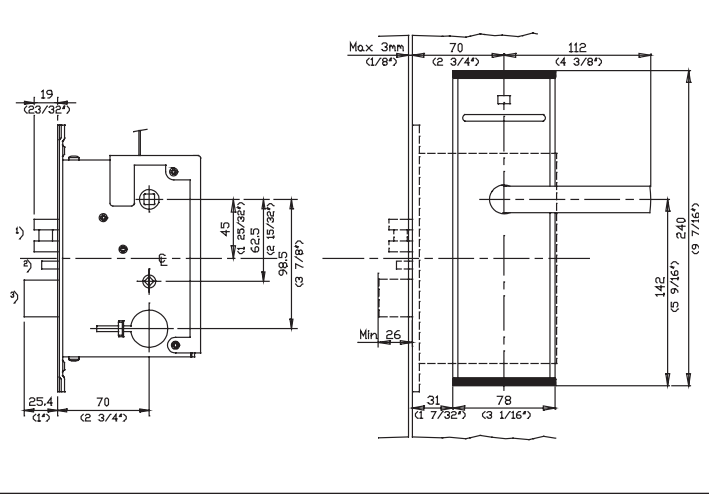
Grey metallic

### Features:

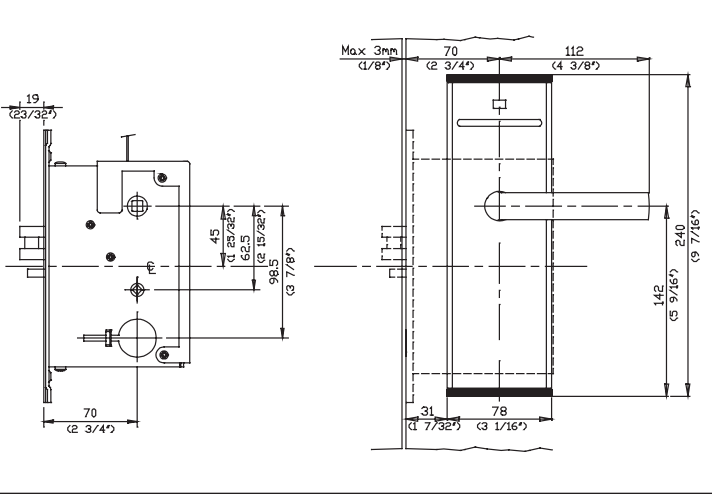
- Stand alone electronic lock with magnetic stripe reader capability.
- Powered by 3AA batteries that provides up to 3 years normal life time.
- 100 event audit trail.
- UL-fire listed for usage on fire doors.
- Solid brass handle with self lubricating long life bearings.
- High security mortise lockcase available in ANSI, US ANSI, JPN, AUS and EURO versions.
- 3 point steel latch construction with an antifriction mechanism.
- Case hardened full 1-inch (ANSI) throw deadbolt.
- Auto deadbolt option available.
- Panic release function – the deadbolt and latch are automatically retracted by inside handle for easy egress in emergency situations.
- Compliant with ADA (Americans with Disabilities Act) requirements.
- High quality steel and brass based escutcheon available in 2 modern alternative powder coated finishes.
- All weather finish option for outdoor installation (Rugged charcoal).
- Future proof re-programmable FLASH RAM lock memory.
- Error free card reader that reads both on insert and removal for optimal accuracy.
- Compatible with VingCard's 2100 PLUS and VISION systems (software platforms).

# Specifications

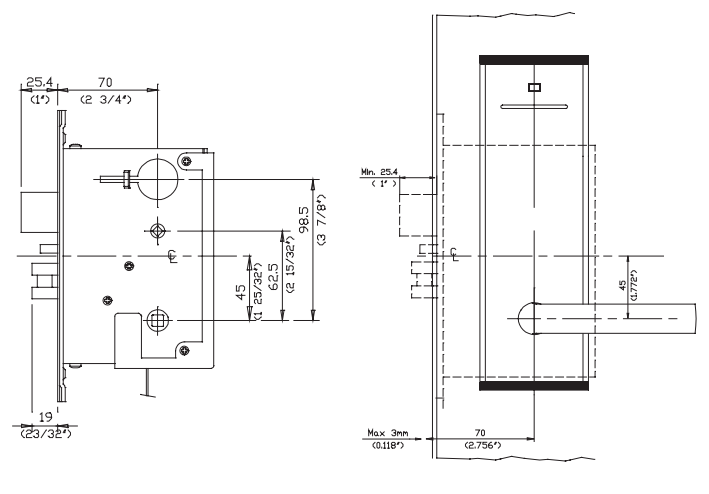
ANSI lockcase:



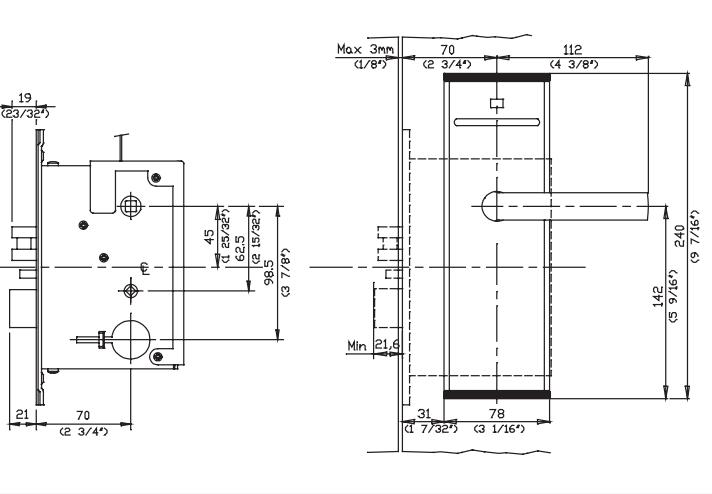
AUS lockcase:



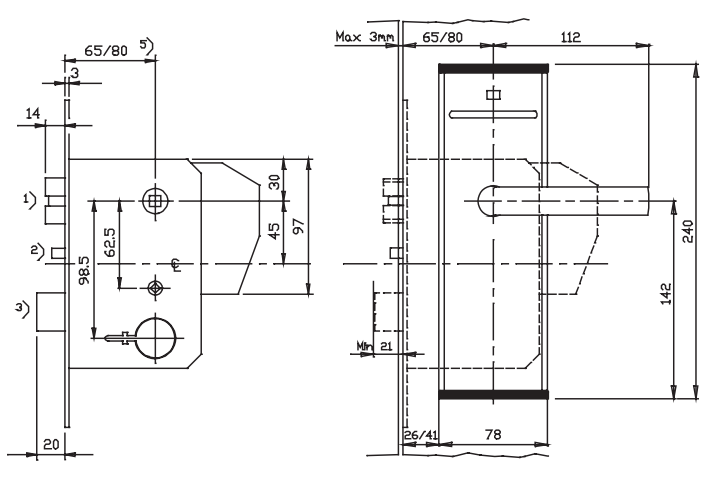
US ANSI lockcase:



JPN lockcase:



EURO lockcase:



Suitable for the American, Japanese and Pacific Ocean market in three versions (ANSI):

- 25 mm front
- 28 mm front
- 32 mm front

Backset: 70 mm

Suitable for the European market in three versions (EURO):

- 20 mm front
- 22 mm front
- 24 mm front

Backset: 65 mm

Contact details:



Specifications may change without notice.